

## Line laser, red, 650 nm, 90 °, 15 mW

LB650-15-230(40x210)-F5000  
Order Number: 70131147

Main Parameters (*)	min	typ	max	Unit
Wavelength		650		nm
Optical Output Power		15		mW
Operating Voltage	207	230	253	V AC
Operating Current	5	10	15	mA
Operating Temperature	-20		50	°C
Storage Temperature	-40		80	°C

### Main Data

Warranty 1 years

### Technical Parameters

Lifetime > 10,000 h  
RoHS yes

### Optical Parameters

Beam Shape	Line
Laser Class	2
Divergence	B - 0.3 mrad
Fan Angle	90 °
Line Thickness	<2mm@5m
Operating Distance	5 m
Optics	glass lens AR coated
Laser technology	Single Mode Diode
Focus	fixed (5.0m)

### Electrical Parameters

Potential of Housing isolated  
Connector AC CEE 7/7

### Mechanical Parameters

Size	Ø40x210 mm
Material	aluminium
Cable length	1,750 mm
Wire type	H05VV-F
Output Aperture	8 mm
Weight	920 g

(\*) Over the complete operating temperature range

## Features



- Operating Voltage 230 V AC
- Laser Class 2
- Fixed focus
- Glas lenses anti reflex coated
- Uniform line thickness

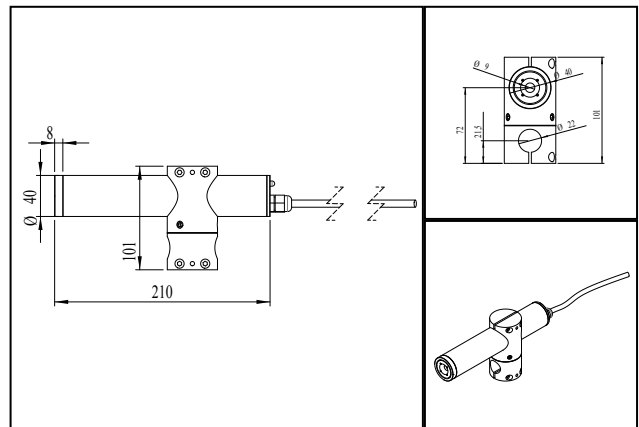
## Picture



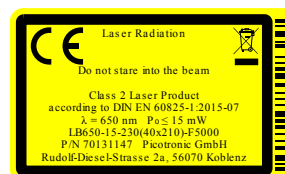
Montageplatte optional  
Base Plate not included



## Drawing



## Safety Label



## Valid Revision

| 05-APR-2022